

# 32" CHANNEL DRAIN DEBRIS CATCHER SUCTION OUTLET COVER AND ABS THREE-PORT MANUFACTURED SUMP FOR FIBERGLASS



**VGBA CERTIFIED SPECIFICATIONS**

**Open Area**  
32.0 in<sup>2</sup>

For SOFA Specific Flow Ratings and specifications please scan QR code or visit [www.aquastarpoolproducts.com/flowcode](http://www.aquastarpoolproducts.com/flowcode)



## FEATURES

All components meet or exceed APSP/ANSI/ICC-16 2017 and NSF/ANSI 50-2009a national standards and ASTM G154 UV testing exposure

Uniquely engineered concave/convex design allows for superior debris catching while exceeding UL articulate probe finger and knuckle ASME A1 12 2008 tests

Three ports: bottom 2 1/2" OD, 2" ID S/S; inside 2" threaded FPT; two 2" threaded plugs included

Disposable plastic pre-gunite/plaster insert keeps debris out and retains sump shape during construction

#316 stainless steel screws

Manufactured from superior UV-resistant engineered polymers

Online product support including downloadable CAD files, General Certificate of Conformity, third-party certificate, installation instructions and more

Replace drain cover every 5 years from date of installation. Clamping ring and sump should be replaced if damaged

1 per case

NOTICE: White assemblies will come with white ABS sump, all other colors are shipped with light gray.

## Unblockable!

**NEW** Improved cover design



With sump and clamping ring (fiberglass pools)  
Part # 32CDLTFGxxx

## STANDARD COLORS

- 32CDLTFG101 – White
- 32CDLTFG102 – Black
- 32CDLTFG103 – Light Gray
- 32CDLTFG105 – Dark Gray
- 32CDLTFG108 – Tan

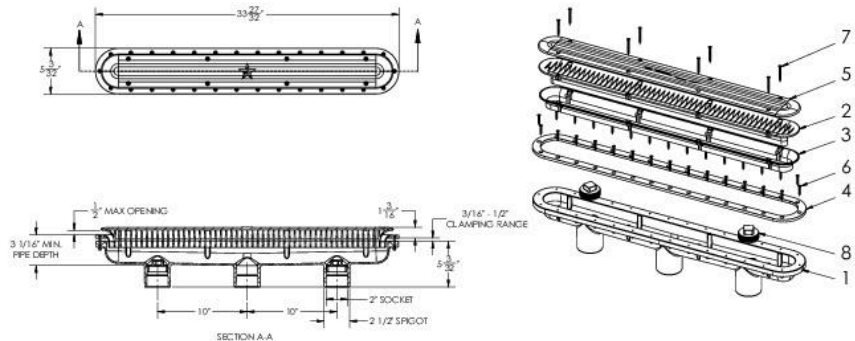
Also available:

Cover and screws only, p/n 32CDLTNFKxxx  
40 per case

Sump only and screws, p/n 32CDSBVK101  
1 per case

Clamping Ring and screws for fiberglass (without gasket), p/n 32CRTKSxxx  
12 per case

**VGBA 2017 Compliant**



1. 32" 3 Port Manufactured Vinyl/Fiberglass Sump Bucket
2. 32" Channel Drain Leaf Trap Cover
3. 32" Channel Drain Leaf Trap Insert
4. 32" Channel Drain Fiberglass Clamping Ring
5. 32" Channel Drain "Buzz Top" Cover
6. #10 X 1.25" LG. Flat Head Phillips, Type A Screw, 316 SS, Qty 30
7. #10 X 2.0" LG. Flat Head Phillips, Type A Screw, 316 SS, Qty 8
8. 2" NPT Plug, Qty 2

P 877-768-2717 F 877-276-POOL Outside the US: P +1-949-336-1940 F +1-949-336-1940  
info@aquastarpoolproducts.com www.aquastarpoolproducts.com CS021-012224