

# 32" CHANNEL DRAIN PINHOLE ANTI-ENTRAPMENT SUCTION OUTLET COVER WITH MUD FRAME



**VGBA CERTIFIED SPECIFICATIONS**

**Open Area**  
13.46 in<sup>2</sup>

For SOFA Specific Flow Ratings and specifications please scan QR code or visit [www.aquastarpoolproducts.com/flowcode](http://www.aquastarpoolproducts.com/flowcode)



## FEATURES

Certified, Listed, and Labeled in conformance with APSP/ANSI/ICC-16 2017 and NSF/ANSI/CAN 50 standards

Manufactured from superior UV-resistant engineered polymers

Includes disposable "dog bone" supports to retain shape during all phases of construction

#316 stainless steel screws

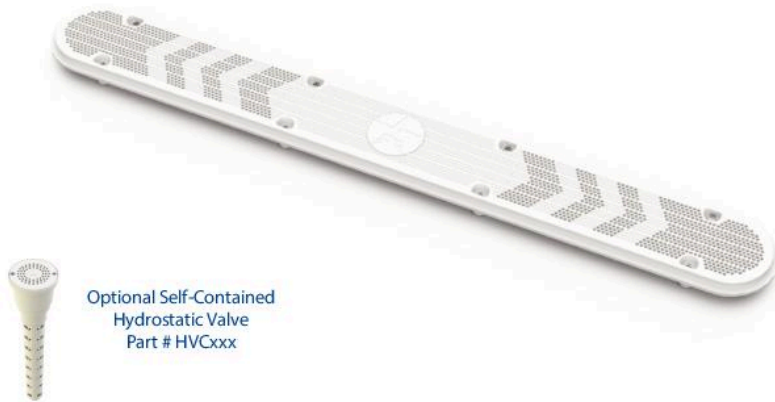
Online product support including downloadable CAD files, General Certificate of Conformity, third-party certificate, installation instructions and more

Replace drain cover every five years from the date of installation

12 per case

## Unblockable!

**NEW** Cover now conceals existing frame



Optional Self-Contained Hydrostatic Valve  
Part # HVCxxx

For field-fabricated sump (concrete pools)  
Part # 32CDPHFRxxx

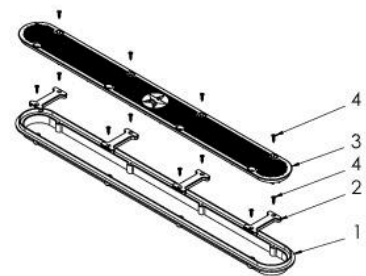
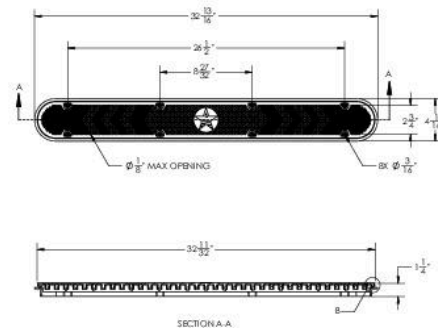
## STANDARD COLORS

- 32CDPHFR101 – White
- 32CDPHFR102 – Black
- 32CDPHFR103 – Light Gray
- 32CDPHFR105 – Dark Gray

Also available mud frame and screws only, p/n 32CDFRKxxx  
12 per case

Also available cover and screws only, without sump/frame  
p/n 32CDPHNFKxxx  
40 per case

**VGBA 2017 Compliant**



1. 32" Channel Drain, No Sump, Frame
2. 32" Channel Drain, Frame Support "Dog Bones", Qty 4
3. 32" Channel Drain Anti-Entrapment Suction Outlet "Pinhole" Cover
4. #10 X 3/4" LG. Flat Head Phillips, Type A Screw, 316 SS, Qty 16

Dog Bones and Screws to be Removed After Gunite/Plaster Application